

For Vertical Level Switches mounting

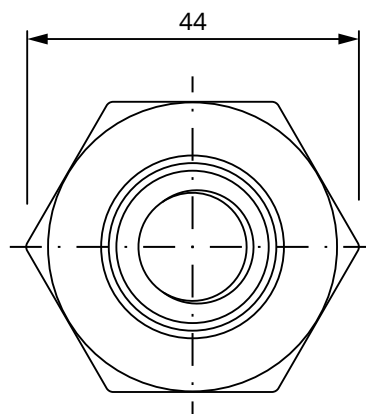
- > Used in external vertical mounting in 1"NPT or BSP thread.
- > **Typical applications:** For mounting in tank with vertical Eicos level switches.

TECHNICAL SPECIFICATIONS

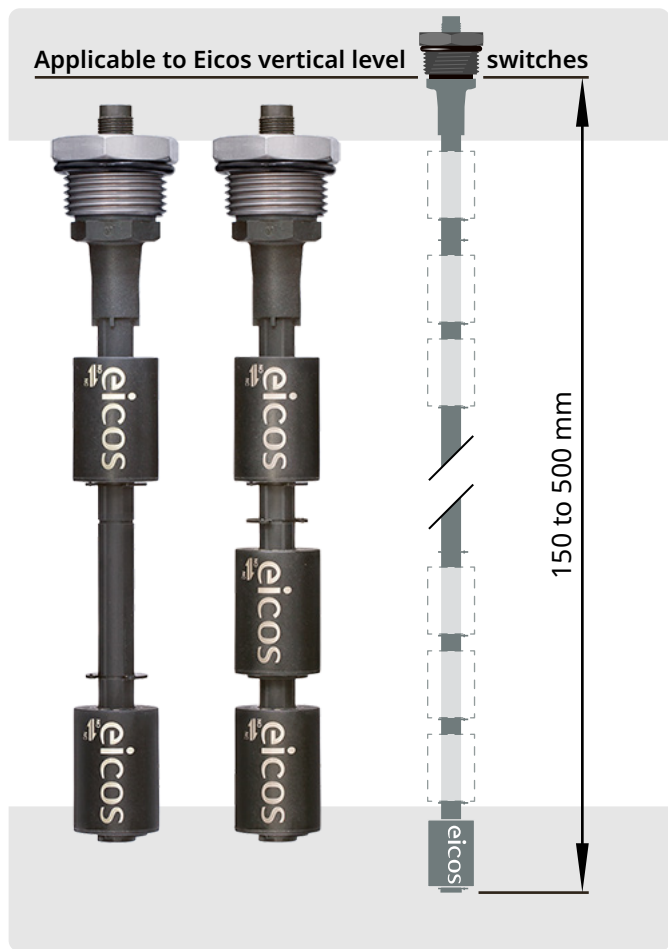
	NPT	BSP
External thread:	1" (conical)	1" (parallel)
Sealing:	Sealant tape	O'Ring (NBR)*
Material:	PPA - Polyphthalamide	Aluminum
Internal thread:	M16	M16
Enclosure rating:	IP66	IP66
Weight (g):	27	43

*Included

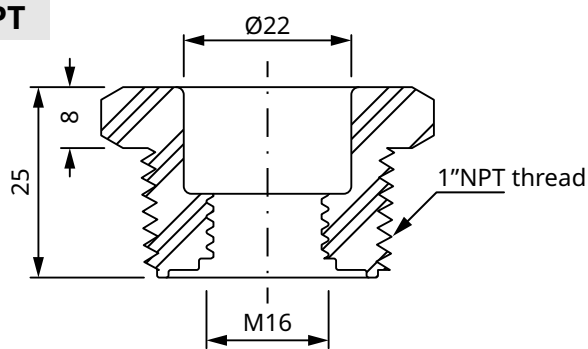
DIMENSIONS (mm)



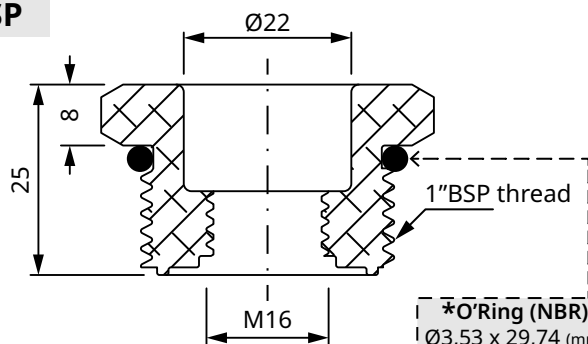
MOUNTING



NPT



BSP



*O'Ring (NBR)
Ø3,53 x 29,74 (mm)
N90 Shore
(Parker 2-217)