

DIN 43650 Connector - B



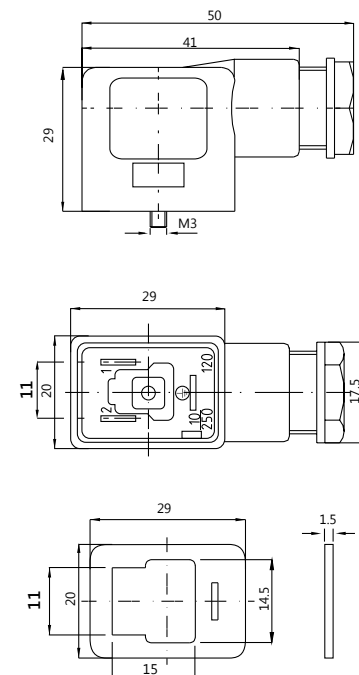
Details • Practical connection to plugs DIN 43650 (Industry standard).

Typical applications • ICOS Sensors¹ and valves.

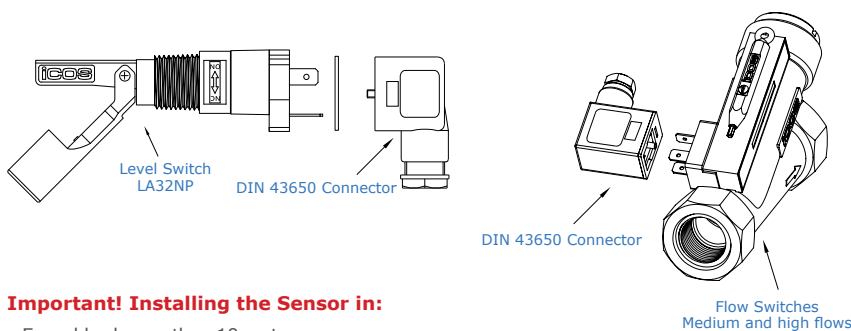
Technical specifications

Number of contacts	2+PE
Contact resistance	≤ 15mΩ
Cable outer diameter	6-8mm (cable not included)
Operating temperature range	0°C to 100°C
Voltage	250V
Weight	22g
Gasket	NBR
Enclosure rating	IP65

Dimensions (mm)



Mounting



Important! Installing the Sensor in:

- For cables longer than 10 meters.
- PLC, timing relay, frequency inverter.

A series **resistor** must be installed.

[Click and check how to install.](#)

Notes

¹ **DIN 43650 11mm Connector is applicable to:**

- Level Switch model **LA32NP**.
- Flow Switches series
FH12 (1/2"G) | FC34 (3/4"G) | FC10 (1"G) | FJ112 (1 1/2"G) | FG20 (2"G)

din 43650 connector | din 43650 plug | din 43650 | din 11mm connector | din 11mm plug

On accessories.icos.com.br check prices of DIN 43650 11mm Connector

Flow and Level Switches for liquids