

**LF222E-40**

**Material**

PP - Polypropylene  
(PA hex nut)



**How it works** Movement of the magnetic float opens/closes a hermetically sealed contact (reed switch).

- Details**
- Compact and low cost;
  - On/Off SPST output;
  - Operation can be normally open or normally closed, by rotating the switch 180°;
  - Mounting in thin wall tank or closed tanks;
  - Detect level of liquids in pipes and coolant expansion tanks.

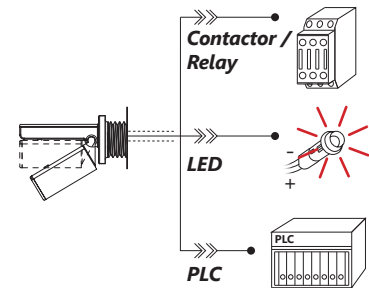
- Typical applications**
- Tank liquid level control;
  - Liquid level monitoring for radiator coolant reservoir.



**Chemical products** require preliminary tests to confirm compatibility.  
**Liquid with ferrous particles** should be avoided.  
*Not suitable for fuel.*

**Technical specifications**

Maximum operating pressure **2bar**  
Operating temperature range **-10°C to 120°C**  
Liquid minimum density (SG) **0.80**  
Sealing **EPDM compression gasket**  
Output connection **Wire 2 x 0.5mm<sup>2</sup> x 40cm**  
Enclosure rating **IP66**  
Electrical contact **Reed Switch 20W/VA**



**The sensors work in all voltage and current ranges displayed in the table below:**

Operating Voltage	Max. Switching Power	Max. Switching Current	Peak Current
110Vac	20VA	0.2A	0.5A @20ms
220Vac	20VA	0.1A	0.5A @20ms
5Vdc	2.5W	0.5A	1A @20ms
12Vdc	5W	0.5A	1A @20ms
24Vdc	10W	0.5A	1A @20ms

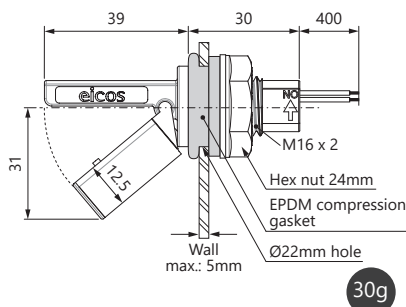
**24Vac:** Recommended use with Schneider Coupling Relay model RSLZVA1.

**Important!**

- For cables longer than 20 meters.
- Relay coupler, timing relay, frequency inverter.

A series **resistor** must be installed.

**Dimensions (mm) and Weight**



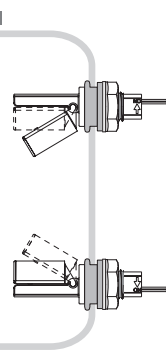
**Mounting**

**NO**  
Working as  
Normally Open

**NC**  
Working as  
Normally Closed

**Note**  
Minimum  
radius in  
cylindric tank:  
**50mm.**

180°



**Typical connection to contactor**

