

# LEVEL SWITCHES

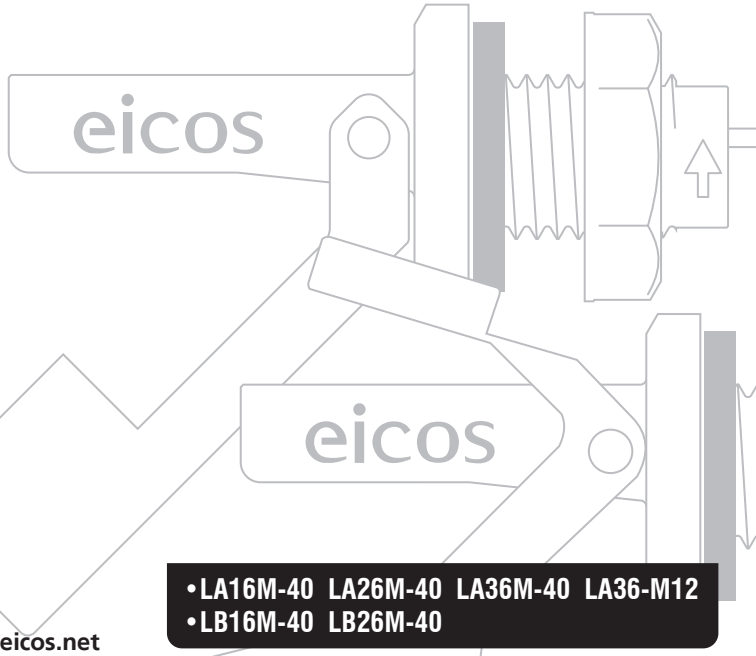
For liquids

# eicos



Internal side mounting

Read before installing

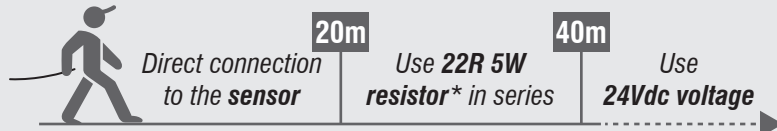


eicos.net

- LA16M-40 LA26M-40 LA36M-40 LA36-M12
- LB16M-40 LB26M-40

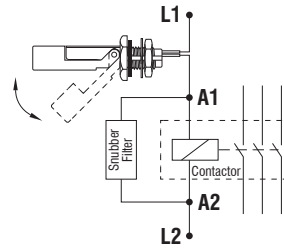
## AUXILIARY CONTACTOR (mini contactor)

Check the distances:



\*For sale on [accessories.eicos.us](http://accessories.eicos.us)

### Typical connection to contactor



|                  |                |
|------------------|----------------|
| Switch           | NO/NC - SPST   |
| Output           | Contact ON/OFF |
| Enclosure rating | IP66           |

Never connect the sensor to a motor, pump, lamp or any load over than 20W.

Always use a contactor or relay.

• See [datasheets.eicos.us](http://datasheets.eicos.us) for more information •

### The sensors work in all voltage and current ranges displayed in the table below:

| Operating voltage | Max. switching power | Max. switching current | Peak current |
|-------------------|----------------------|------------------------|--------------|
| 110Vac            | 20VA                 | 0.2A                   | 0.5A @20ms   |
| 220Vac            | 20VA                 | 0.1A                   | 0.5A @20ms   |
| 5Vdc              | 2.5W                 | 0.5A                   | 1A @20ms     |
| 12Vdc             | 5W                   | 0.5A                   | 1A @20ms     |
| 24Vdc             | 10W                  | 0.5A                   | 1A @20ms     |

- ! •24Vac: Use with Schneider relay coupler model RSLZVA1 or equivalent.
- Relay coupler (110Vac-220Vac): Use 4K7 10W resistor in series.

### For installations according to this guide:

2 (two) years warranty. **INCORRECT INSTALLATION CANCELS THE WARRANTY.** All sensors have been tested and approved during the manufacture process.

**Chemical products** require tests by the customer to verify compatibility with the constructive material of the sensor.

**Liquids with ferrous particles** require technical analysis: the sensor has magnetic component inside.

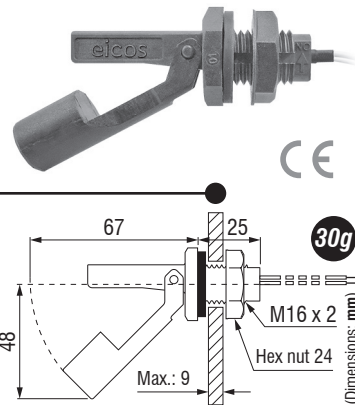
Term of Warranty

### Constructive materials

- POM** Polyacetal (Ideal for water, fuels and lubricants).
- PP** Polypropylene (Ideal for chemical products. **NOT** suitable for fuel).
- PPA** Polyphthalamide (High mechanical and temperature resistance).
- PA** Polyamide hex nut

## In Ø16mm hole

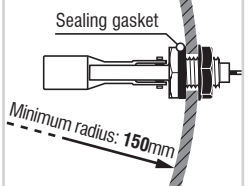
### Multi-points



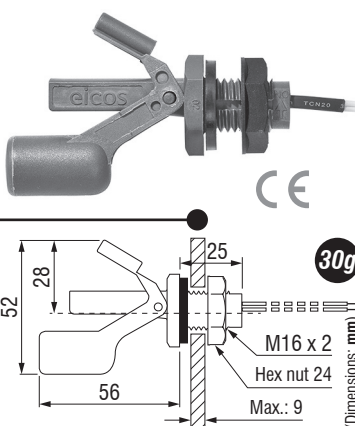
| Technical specifications    | LA16M-40       | LA26M-40       | LA36M-40       | LA36-M12       |
|-----------------------------|----------------|----------------|----------------|----------------|
| Constructive material       | POM            | PP             | PPA            | PPA            |
| Color                       | White          | Dark blue      | Black          | Black          |
| Operating temperature range | -10°C to 100°C | -10°C to 100°C | -10°C to 125°C | -10°C to 125°C |
| Maximum operating pressure  | 2bar           | 2bar           | 2bar           | 2bar           |
| Liquid minimum density (SG) | 0.76           | 0.68           | 0.70           | 0.70           |
| Sealing                     | NBR gasket     | NBR gasket     | NBR gasket     | NBR gasket     |
| Output connection           | 40cm cable     | 40cm cable     | 40cm cable     | M12 connector  |

- Electrical contact: reed switch 20W/VA;
- Internal mounting in through hole with sealing gasket;
- **NO** or **NC**, by rotating the sensor 180°;
- It detects increased or decreased level inside the tank.

### Mounting inside tank



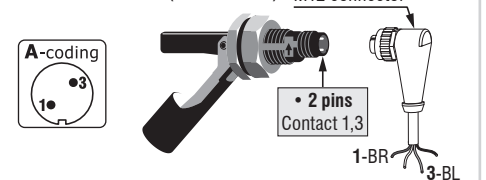
### For surface detection



| Technical specifications    | LB16M-40       | LB26M-40       |
|-----------------------------|----------------|----------------|
| Constructive material       | POM            | PP             |
| Color                       | White          | Dark blue      |
| Operating temperature range | -10°C to 100°C | -10°C to 100°C |
| Liquid minimum density (SG) | 0.65           | 0.64           |
| Sealing                     | NBR gasket     | NBR gasket     |
| Output connection           | 40cm cable     | 40cm cable     |

- Electrical contact: reed switch 20W/VA;
- For liquids with magnetic particles;
- It works exclusively **NC** to detect maximum level;
- The float is kept away from the body, avoiding the contact of the liquid with the pivot.

### M12 connection (LA36-M12)



### Operation

